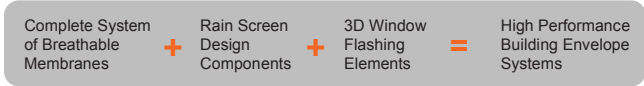


### THE VAPROSHIELD SYSTEMS APPROACH

VaproShield promotes a systems approach to building envelope design, incorporating Breathable Membranes for roofs and walls, Rain Screen Design Components and 3D Window Flashing Elements resulting in High Performance Building Envelope Systems.



### WRAPSHIELD® HS

Combined in one innovative product WrapShield HS offers:

- Drainage plain allowing moisture to quickly drain away from the building
- Protection from the damaging effects of liquid water intrusion to the sidewall which creates mold, mildew and rot
- Labor and material savings by installing a drainage plain and water resistive air barrier simultaneously
- Suitable for use in commercial, institutional, health care facilities, mixed-use and high-end residential construction

Our unique product combines a rain screen designed channel matrix with a water resistive air barrier that simultaneously saves on labor and material. Suitable for use in commercial, institutional, health care facilities, mixed-use and high-end residential construction.

#### Drying Capacity

- WrapShield HS forms a three-dimensional drainage cavity, allowing air flow behind the cladding increasing drying speed and capacity.
- WrapShield HS combined with VaproTape double-sided unites the best properties of a vapor permeable weather resistive barrier (50 perms) and an air barrier with a rain screen cavity in one innovative, affordable product.

#### Durability & Cost Effectiveness

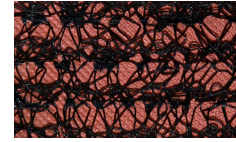
- Reduces installation time by installing two moisture management products at one time.
- Cuts easily with utility knife eliminating special tools.

#### Environmental Sustainability

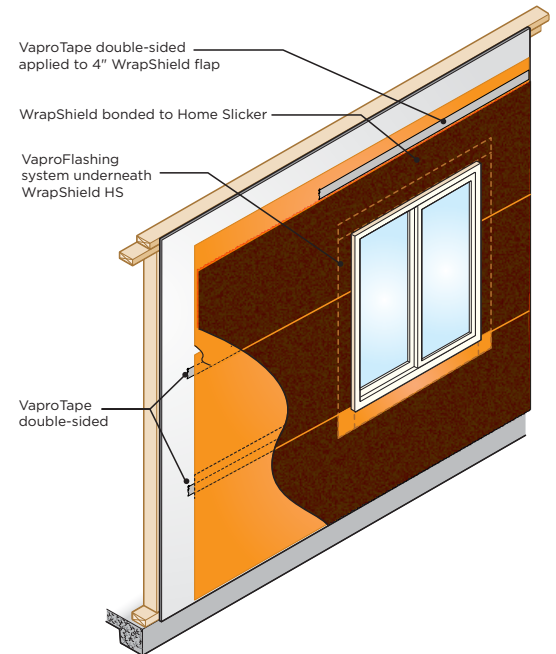
- Contributes to LEED points in Indoor Environmental Quality. Visit [www.vaproshield.com](http://www.vaproshield.com) for more specific information about LEED.

#### Compatibility

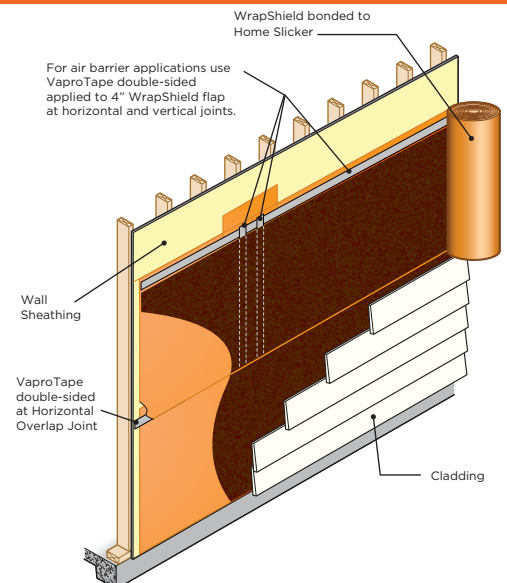
- Compatible with a number of systems, including, but not limited to: wood, fiber-cement, brick veneer, stone veneer, metal panels, stucco, vinyl and windows both flanged and non-flanged.



Close up of WrapShield bonded to Home Slicker.



Reduce installation time by applying two moisture management products at one time. Ensure an airtight seal by affixing WrapShield HS with VaproTape double-sided.

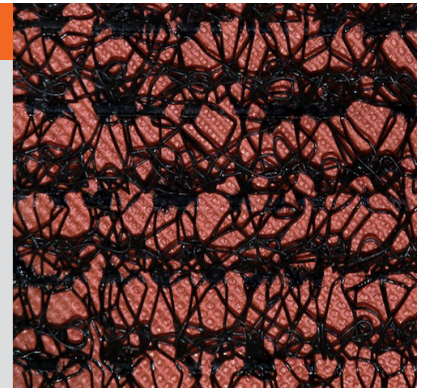


#### Rain Screen Design

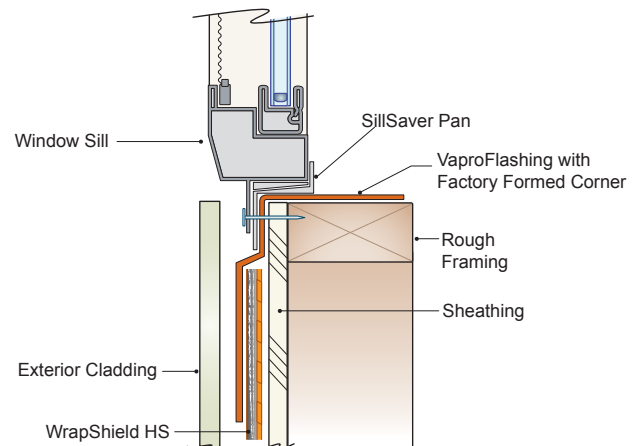
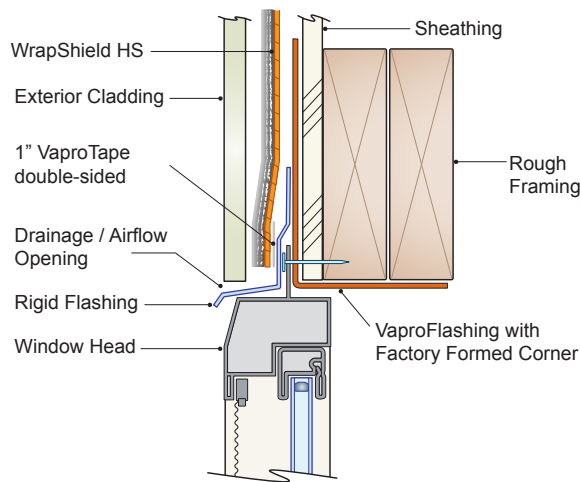
Applying WrapShield HS creates a secondary line of defense allowing the diffusion of moisture/vapor to the exterior while also allowing liquid/water to drain from the building envelope, reducing the damaging effects of moisture intrusion.

### Specifications – WrapShield HS

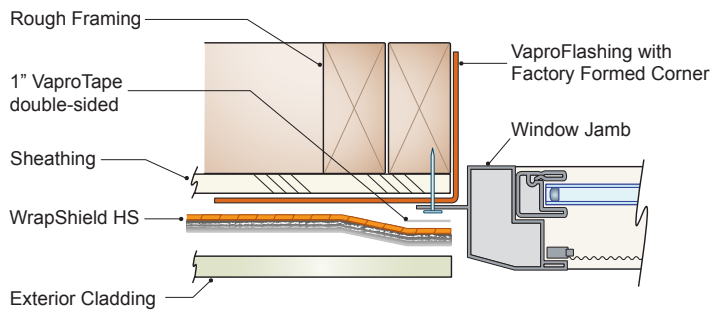
Thickness	1/4" (6mm) ; 3/8" (10mm)
Weight	23lbs (10.4kg) ; 29lbs (13kg)
Width	WrapShield 44" (1.1m) ; HomeSlicker 39.37" (1m)
Margin/Flap	4.63" (118mm) on one side
Roll Size	77' (23.5m) long
Coverage	250 ft <sup>2</sup> (7m <sup>2</sup> ) per roll



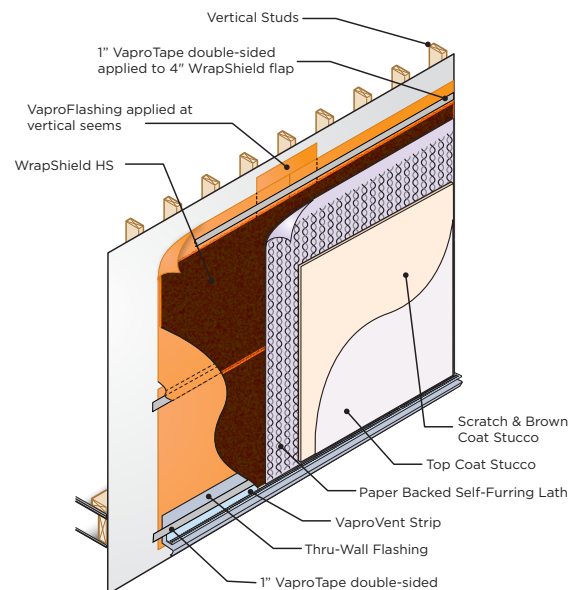
### RAIN SCREEN DESIGN APPLICATION



### Standard Window Head Application Detail



### Standard Window Sill Application Detail



### Standard Window Jamb Application Detail

Compatible with many cladding systems including stucco (shown)

To learn more about WrapShield HS details and installation instructions visit our website [www.vaproshield.com](http://www.vaproshield.com).

To order WallShield HS please call VaproShield at (1) 866-731-7663